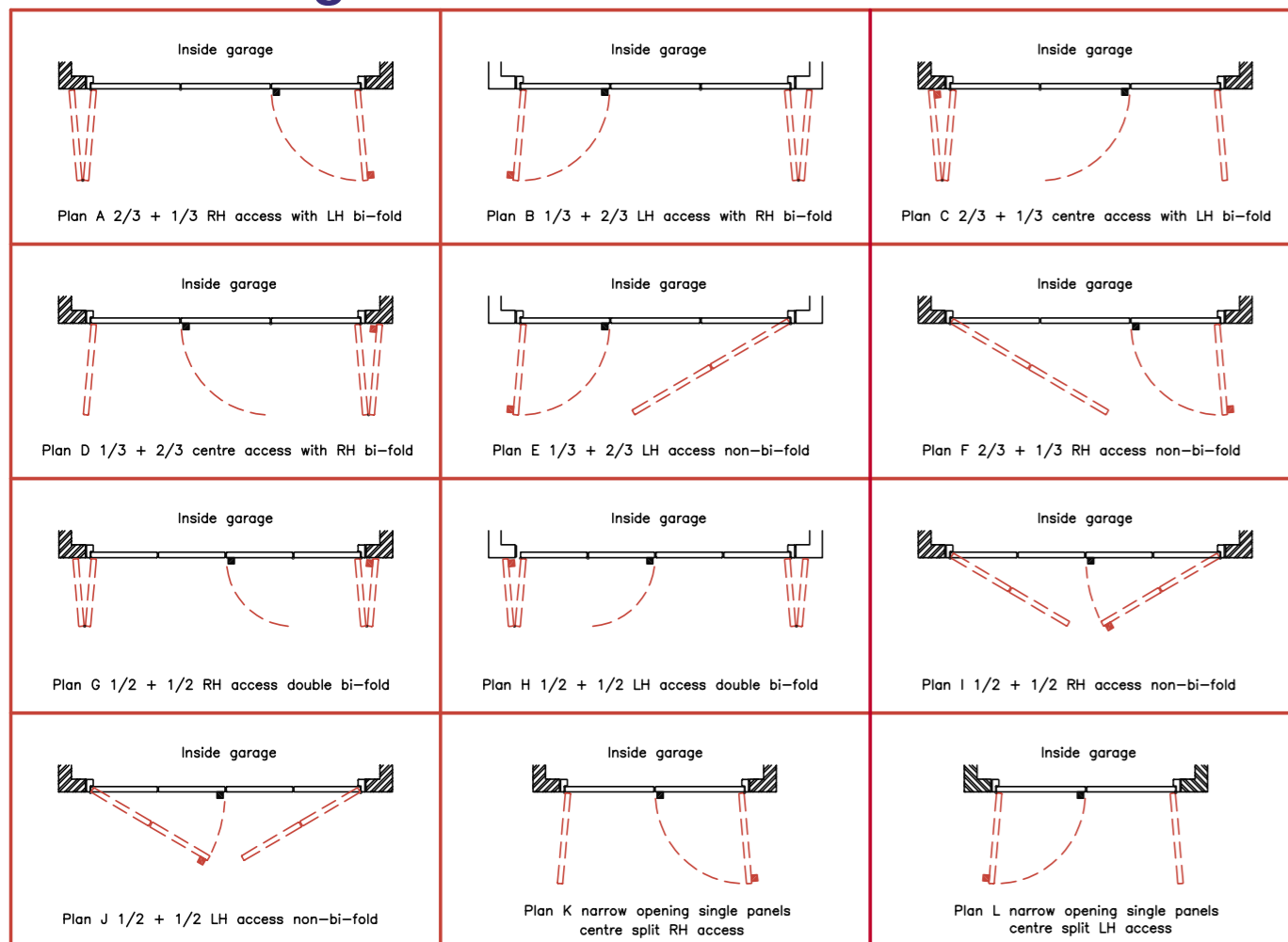




flexibility is our strength

Birmingham Garage & Industrial Doors Ltd

Panel Configurations

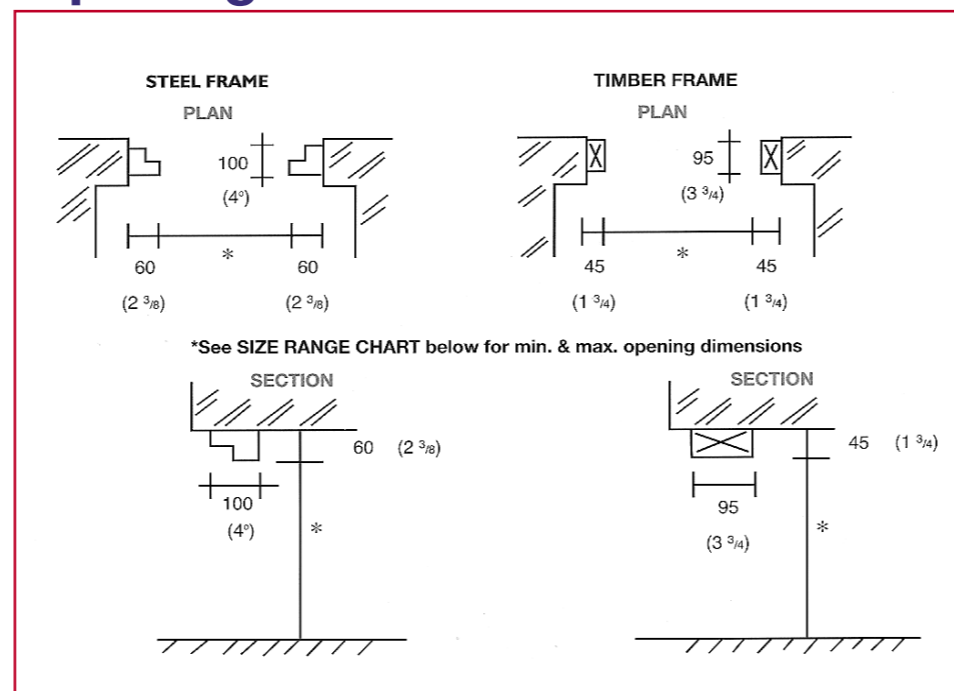


If you cannot see the configuration you require, or for advice on the best application for wider or taller openings, contact BGID.

Why choose BGID?

- All door and frame sets made to order.
- Fully powder coated inside and out.
- Extensive choice of colours and finishes.
- Full set of quality hardware and door styles included as standard.
- Unique manufacturing process allows all doors to have an inner skin as standard - at no extra cost.
- Bi-fold action to any two panel leaf - at no extra cost.
- Fixings for the frame to timber or brickwork are included.
- All galvanised steel construction.
- Any requirements not shown here can normally be catered for.
- Even if what you want is not shown here, we can probably make it.

Opening Details



Size Range Chart

No standard sizes - all doors are made to measure

Two Thirds and One Third Split Brick Opening

Opening	Min	Max
Width	5' 11 1/4" (1810)	9' 1 3/4" (2786)
Height	6' 1 3/4" (1873)	7' 1 3/8" (2170)

Half and Half Split Brick Opening

Opening	Min	Max
Width	7' 9 3/4" (2380)	11' 2 1/2" (3416)
Height	6' 1 3/4" (1873)	7' 1 3/8" (2170)

The information above is based on use of BGID's own steel frame. Where a timber frame is used (not by BGID) these dimensions may alter.

BGID reserves the right to alter or amend specifications to design and manufacture without notification. All specifications are correct at time of publication.

Options

- Supplied without steel frame. If fitting to an existing or timber frame (not supplied by BGID).
- Door opening to be changed from the standard outward to inward opening.
- Door and frame set usually fit between the brickwork but can be manufactured to fit in front of or behind existing brickwork to increase maximum drive through width and height.
- Frame to include a raised or rebated threshold.
- Windows with choice of glazing styles including frosted, opaque and leading.
- Additional flashing to cover unsightly brickwork or gaps. Manufactured from galvanised steel and powder coated to match door or frame.
- Door furniture finishes in brass, chrome or stainless steel.
- Rockwool insulation for improved thermal efficiency and sound dampening.
- Seal kit; adds an additional rubber seal at the edge of the door and frame to improve weather proofing. Note: seal kit replaces foot and chain bolts with flush bolts.
- Non-standard colour selection, requires RAL number of desired colour(s).
- Mortice locks with lever handles, mortice deadlocks, additional security bolts, security escutcheon, high security euro cylinder.
- Bespoke features including letterplates and cat flaps etc.
- Single panel access doors to match garage door.



flexibility is our strength

Telephone: 0121 559 8666

Fax: 0121 561 5373

www.bgid.co.uk

e-mail: sharon.mason@bgid.co.uk

Unit 3, Griffin Industrial Estate

Penn cricket Lane

Rowley Regis

West Midlands B65 0SN

The Rowley Range by BGID

The very best of side hinged garage door systems



Side Hinged Steel Garage Doors

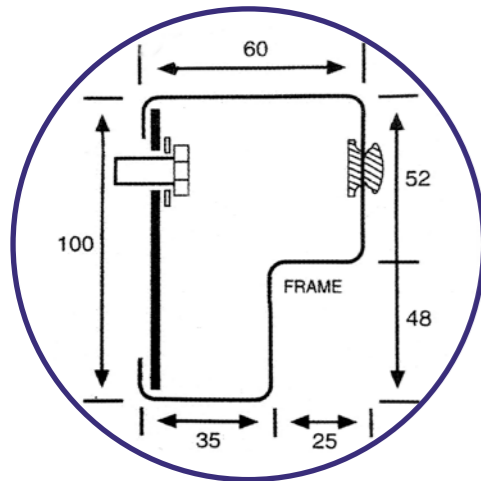
Inner Door Skin as Standard

The Rowley Range, steel side hinged doors, benefits from a significantly improved form of construction. This allows BGID to provide these doors with an inner skin, which substantially improves aesthetic values, adds to panel integrity without weight penalty.



Examples of inner door skin

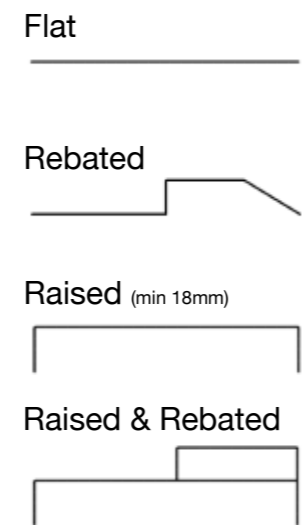
Frame and Threshold



BGID use a purpose made galvanized steel, industrial security quality, 2mm thick cold rolled rebated section, with mitred and internally welded corners to provide an immensely robust frame. The frame is pre-drilled, and includes, fixings for both timber and brickwork and is ready to accept BGID's unique full height continuous hinge system.

All Rowley Range doors supplied with BGID's steel frame come with a flat threshold as standard. Optional thresholds shown here can be requested to suit your requirements.

Threshold Options:



Door & Furniture

The first opening, or access door, is supplied as standard with a Rim Nightlatch and 2 x keys with a brass, Stainless or Chrome face and matching finger pull. The closing edge of this door is fitted with a 3mm steel 'T' section to help protect against forced entry.

The slave, or second opening leaf, is offered, as standard, with the option of either Bi-fold action or Fixed. It is then fitted with the appropriate number of 150mm **sprung action, chain operated, top bolts** and 150mm **foot operated, bottom bolts** providing security and convenience.

All sets of **Rowley Range** garage doors are supplied, as standard, with a pair of **overhead door stays** to conveniently and securely hold the doors open at 90°.



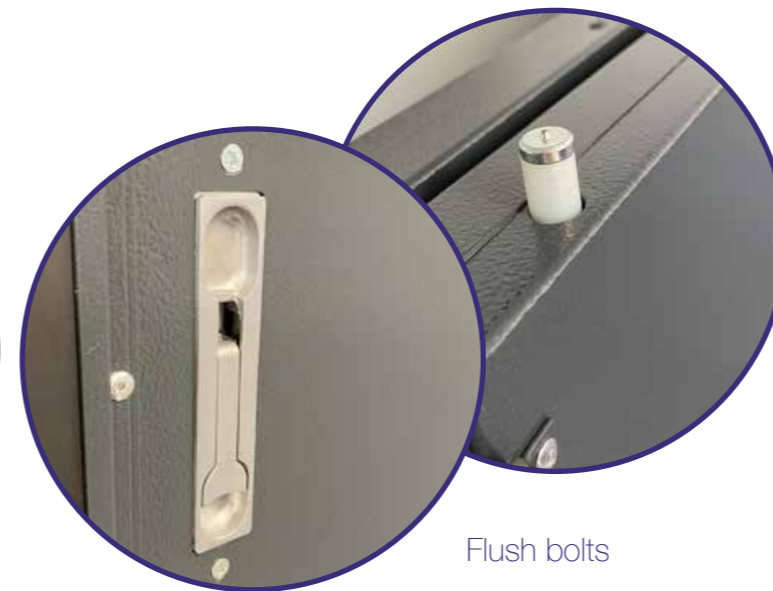
Foot and Chain bolts

Powder Coating

All Rowley Range, steel side hinged garage doors and frames are supplied fully powder coat finished. The whole process taking place at BGID's own in-house continuous process powder coating plant.

White is our most popular colour, BGID also offer an extensive range of over 100 standard colours at no additional cost. Even a white frame with a coloured door is no problem, and does not incur additional charge.

BGID recommend a textured powder coat finish, matt is also available in most colours, ask when placing your order.



Flush bolts

Bespoke Made

Every BGID Rowley Range, side hinged garage door is made to measure - please see our Opening Details and Panel Configurations information for the normal overall size range - however, here at BGID we believe flexibility is our strength, we can, and often do work outside the limitations shown.

Rowley Range side hinged doors, purpose made to suit individual customer requirements, either directly or through a network of approved specialist garage door installers.

Special Requirements

- Extra height doors to accommodate tall vehicles or caravans.
- Extra width doors.
- Single side access doors.



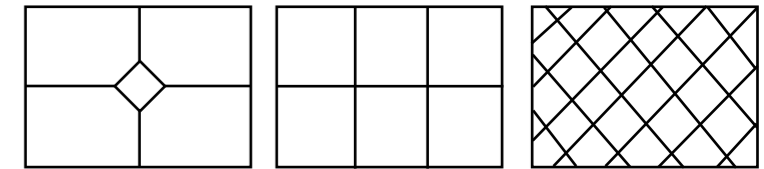
Fitted with a cat flap

BGID's Seal Kit

Glazing

With York Style doors, we offer an optional extra of single or double obscure polycarbonate glazing.

Leading choices as below available at no extra cost.

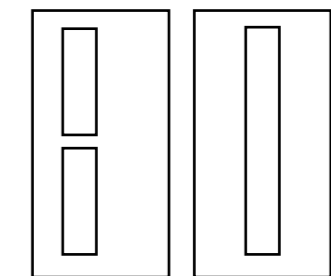


Contemporary

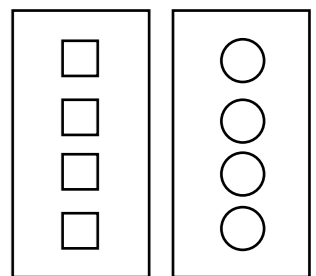
- Smooth flat panels.
- Insulated as standard.
- Euro locking with handles and security escutcheon.
- Handles available in various styles and finishes.

Glazing options

SINGLE GLAZED GLASS



SMALL OBSCURE POLYCARBONATE



Custom window placements available upon request.



York



Rochester



Stirling



Arundel



Horizontal Rib



Vertical Rib



Contemporary